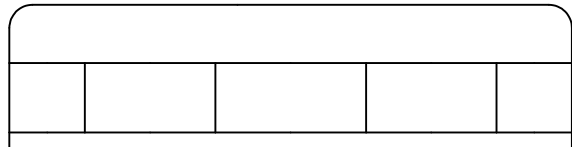
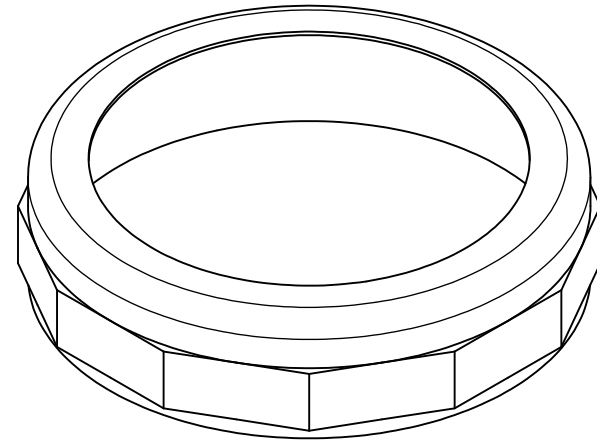
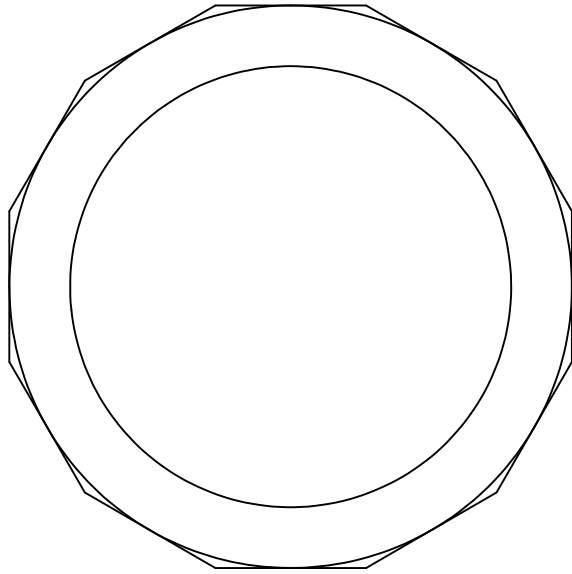


DIE CAST SLIP JOINT NUT AND WASHER



PHONE NUMBER
1-800-355-6637
 FAX NUMBER
1-800-462-6991
 SCALE 3 : 1 DATE 6-16-11
 SHEET **1 OF 1**
 DRAWN BY
ASHLEY KRALOVEC

PART NO.	T77014	T77012	T77013	T77020	
SIZE	1-1/4" X 1-1/4"	1-1/2" X 1-1/2"	1-1/2" X 1-1/4"	2" X 2"	